

# ROADSTER

12V BSP00020AC12 / 24V BSP00020AC24



A/C



## Performance

cold ❄️ 6.8kW	+	airflow 🌀 690 (m³/hr)
---------------------	---	-----------------------------

## Electrical Data

volts 12V	amps 15A	/	volts 24V	amps 8.5A
--------------	-------------	---	--------------	--------------

## Applications



## Performance Input Data

temp 32°C	humidity 50%
--------------	-----------------

## Evaporator Unit

### Variants

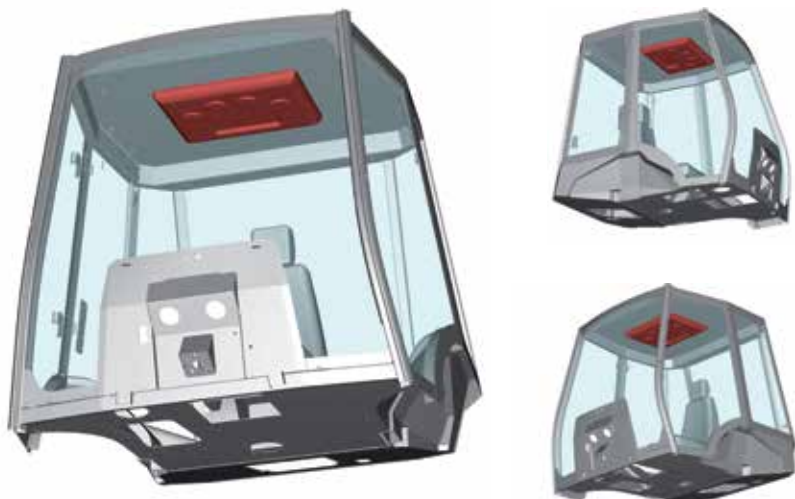


The units has 6 slots to insert SWF switches according to needs.



### Position

#### Roof liner





# ROADSTER

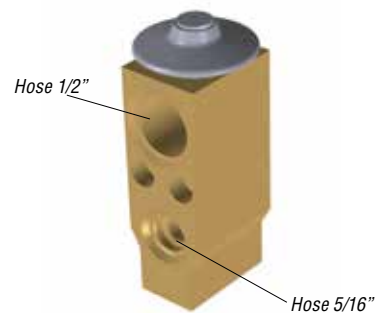
12V BSP00020AC12 / 24V BSP00020AC24



Weight



- 1 - Green wire (enable signal to compressor)
- 2 - Red wire (positive)
- 3 - Black wire (ground)



Expansion valve 1.5 TON  
(7500 Kcal/h)

To ensure you have a complete kit to enable you chosen system to operate please check the system schematic data sheet which details the full list of components required.

T // +44 (0)1453 891320  
E // sales@apairltd.com  
W // www.apairltd.com



Follow us on Twitter @APAIRLtd



Like us on Facebook AP Air Ltd