

VERT PICCOLO

12V BSP00011AC12 / 24V BSP00011AC24



A/C



Performance

cold ❄️ 5.5kW	+	airflow 🌀 450 (m ³ /hr)
----------------------------	---	---

Electrical Data

volts	amps	/	volts	amps
12V	12A		24V	8A

Applications

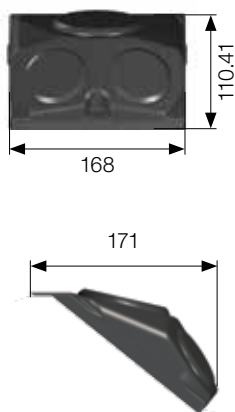


Performance Input Data

temp 32°C	humidity 50%
---------------------	------------------------

Vertical Evaporator Unit

Variants



Panel with two holes

Position

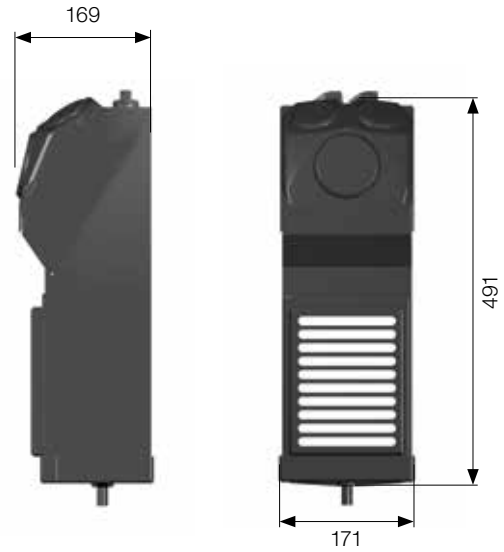
Corner mount



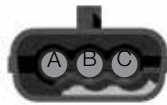


VERT PICCOLO

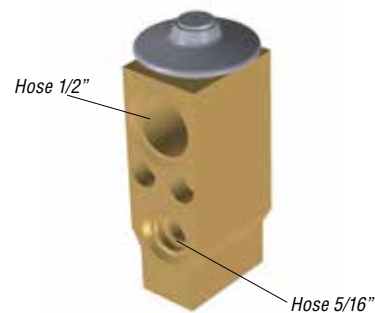
12V BSP00011AC12 / 24V BSP00011AC24



Weight



- A- Green wire (enable signal to compressor)
- B- Red wire (positive)
- C- Black wire (ground)



Expansion valve 1.5 TON
(7500 Kcal/h)

To ensure you have a complete kit to enable you chosen system to operate please check the system schematic data sheet which details the full list of components required.

T // +44 (0)1453 891320
E // sales@apairltd.com
W // www.apairltd.com



Follow us on Twitter @APAIRLtd



Like us on Facebook AP Air Ltd