

SOGN

12V BSP00013AC12 / 24V BSP00013AC24



A/C



Performance

cold ❄️ 6.8kW	+	airflow 🌀 590 (m³/hr)
-----------------------------------	---	---

Electrical Data

volts	amps	/	volts	amps
12V	13A		24V	8A

Applications

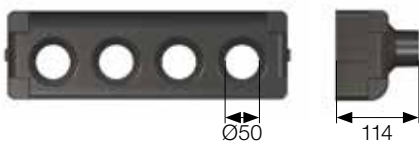


Performance Input Data

temp 32°C	humidity 50%
---------------------	------------------------

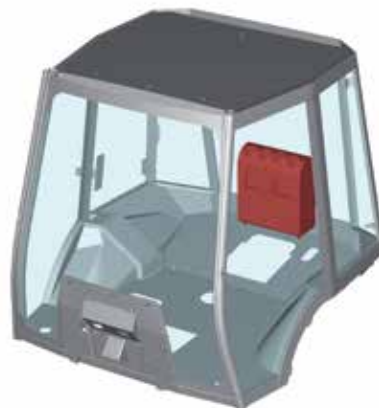
Evaporator Unit

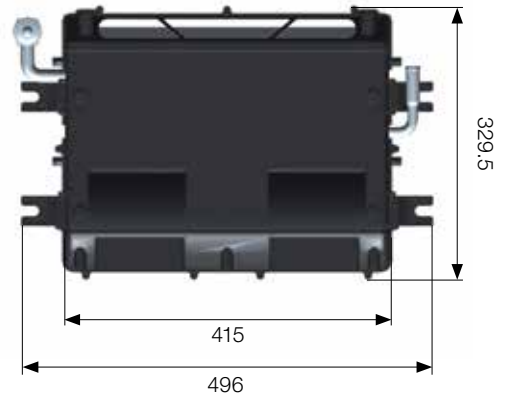
Variants



Position

Multiple mount

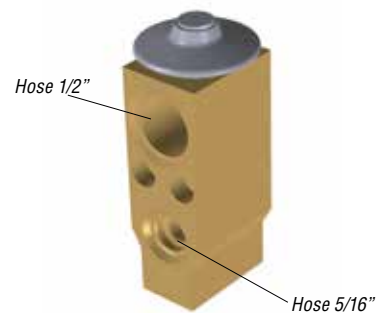




Weight



- 1- Yellow wire (speed 1)
- 2- Red wire (speed 2)
- 3- Orange wire (speed 3)
- 4- Black wire (power supply)



Expansion valve 1.5 TON
(7500 Kcal/h)

To ensure you have a complete kit to enable you chosen system to operate please check the system schematic data sheet which details the full list of components required.