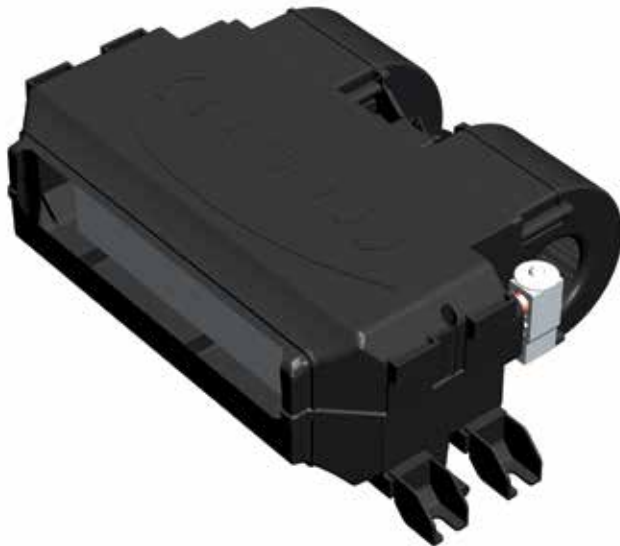


RAVENA

12V BSP00014AC12 / 24V BSP00014AC24



A/C



Performance

cold ❄️ 8.7kW	+	airflow 🌀 800 (m³/hr)
----------------------------	---	------------------------------------

Electrical Data

volts	amps	/	volts	amps
12V	18A		24V	10A

Applications

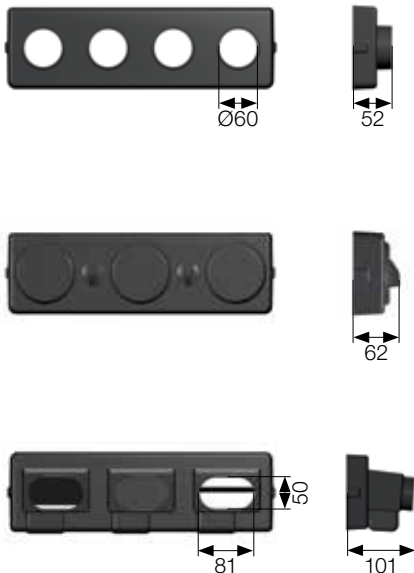


Performance Input Data

temp	humidity
32°C	50%

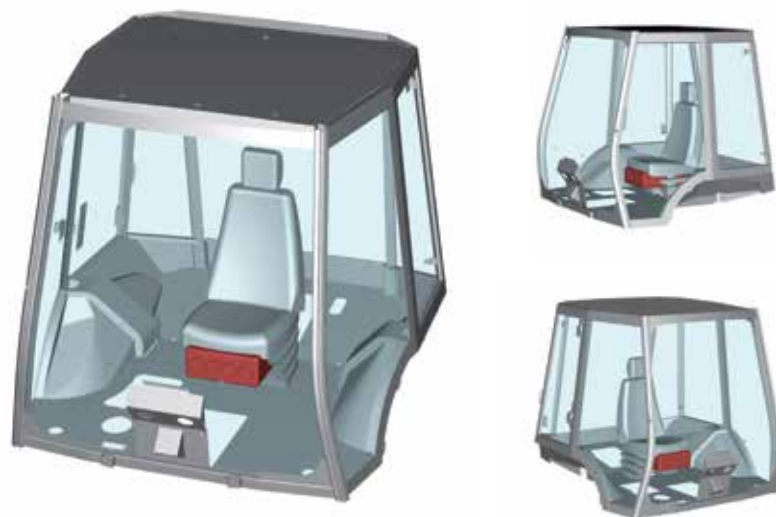
Horizontal Evaporator Unit

Variants



Position

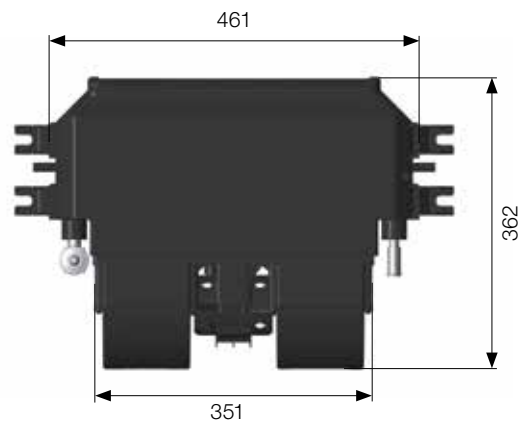
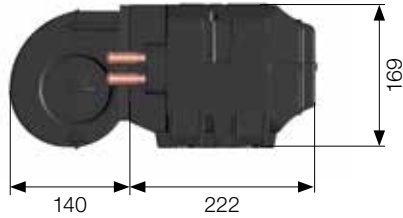
Under seat mount





RAVENA

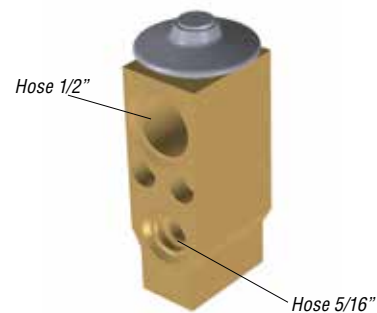
12V BSP00014AC12 / 24V BSP00014AC24



Weight



- 1 - Yellow wire (speed 1)
- 2 - Red wire (speed 2)
- 3 - Orange wire (speed 3)
- 4 - Black wire (power supply)



Expansion valve 1.5 TON
(7500 Kcal/h)

To ensure you have a complete kit to enable you chosen system to operate please check the system schematic data sheet which details the full list of components required.

T // +44 (0)1453 891320
E // sales@apairltd.com
W // www.apairltd.com



Follow us on Twitter @APAIRLtd



Like us on Facebook AP Air Ltd